

VR2000+

ALIVER 2000+



A thermally insulated system used to design roofs of garden rooms, mainly single and double-pitched roofs.

VR2000+

A thermally insulated system used to design roofs of garden rooms, mainly single and double-pitched roofs.

The system is fully compatible with other Aliplast systems used to construct infills of winter garden walls, including non-openable glazing, lift-and-slide doors, tilt-and-slide doors, accordion doors and windows.

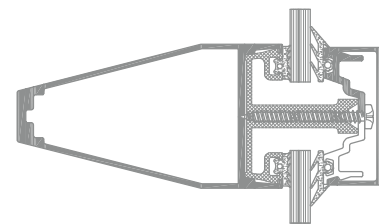
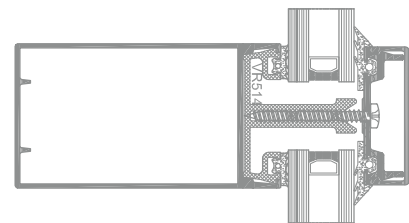
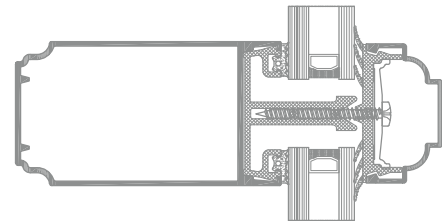
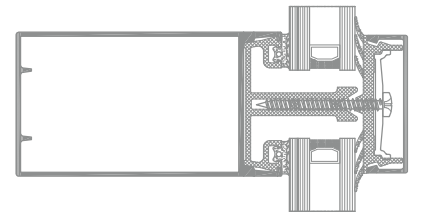
The system features thermal performance of $\sim 2.0 \text{ W/m}^2\text{K}$.

Technical description of the system:

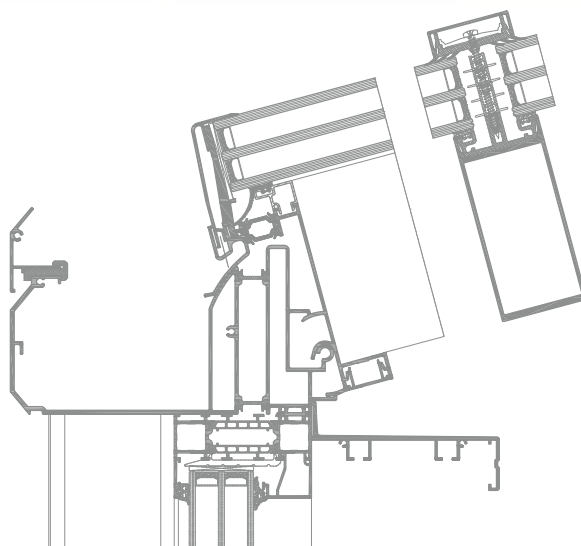
- load-bearing element of the structure located inside (below the infill), anchors fixed to a depth of 105 mm or 125 mm
- rafters and external masking caps available as soft (rounded) and with distinct rectangular shapes
- variety of gutter shapes, option to install gutter mesh guards to prevent undesired accumulation
- available system discharge chutes, optionally to be enclosed
- option to reinforce the rafter and gutter beams using aluminium or steel shaped sections
- the system offers articulated joints in the gutter and roof ridge beams, engineered ties, gutter and discharge chute connectors;
- roof plane pitch 5-45°
- Aliver 2000+ is suitable for infills made of wall polycarbonate as well as glass (single, double and triple glazed)

The Aliver 2000+ system satisfies requirements relating to profile thermal insulation, rainwater and air tightness. The system also guarantees proper ventilation provided appropriate ventilation equipment is used, regardless of weather conditions.

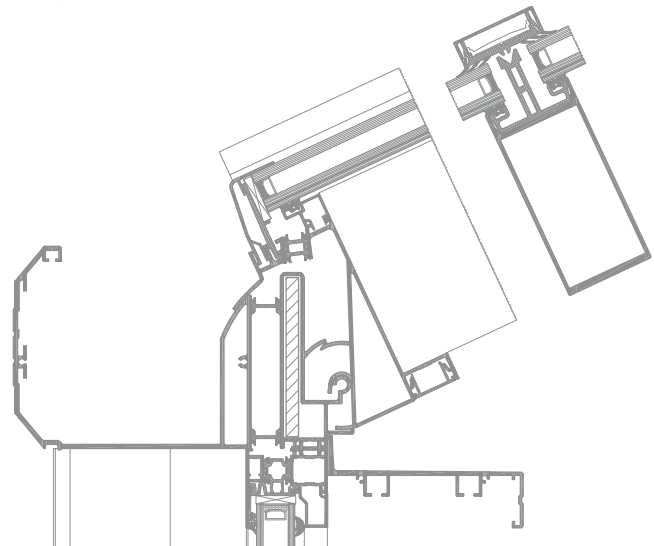
A wide range of colours available - RAL palette (Qualicoat 1518), structural colours, Aliplast Wood Colour Effect (Qualideco PL-0001), anodized (Qualanod 1808), bi-colour.



available options of external and internal strips



joint passing through the wall and the roof of the VR2000+ structure



joint passing through the wall and the roof of the VR2000+ structure